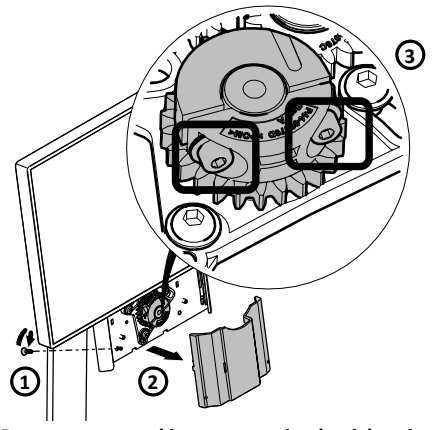
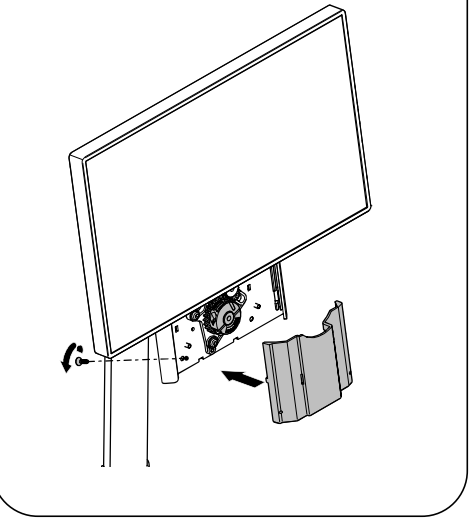


5 For Screens > 5kg increase tension

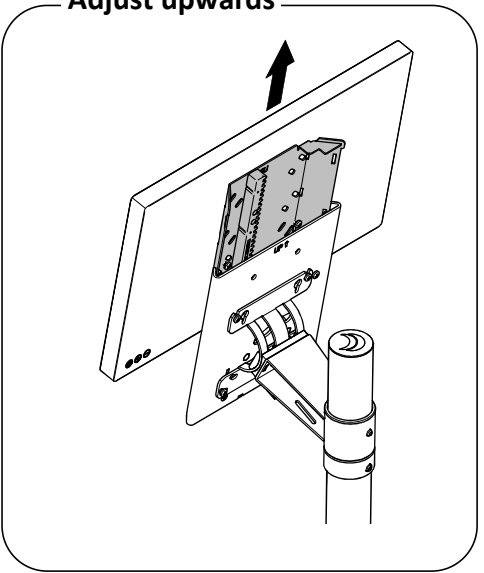


Remove cover and increase tension by tightening one of the two screws, a 1/4 of a rotation and test. Continue until screen stays in position.

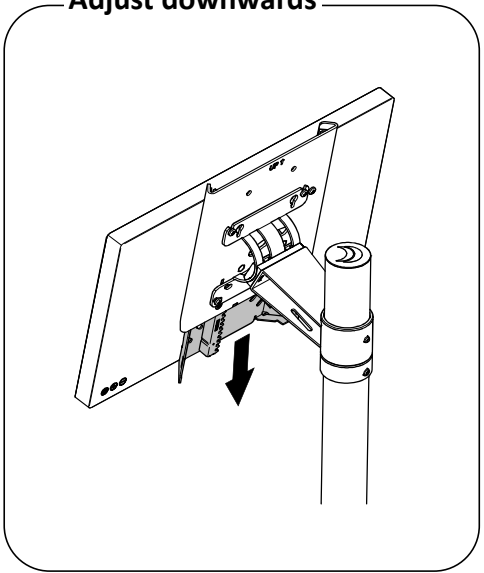
5A Attach gear cover



Adjust upwards



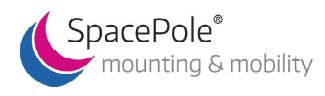
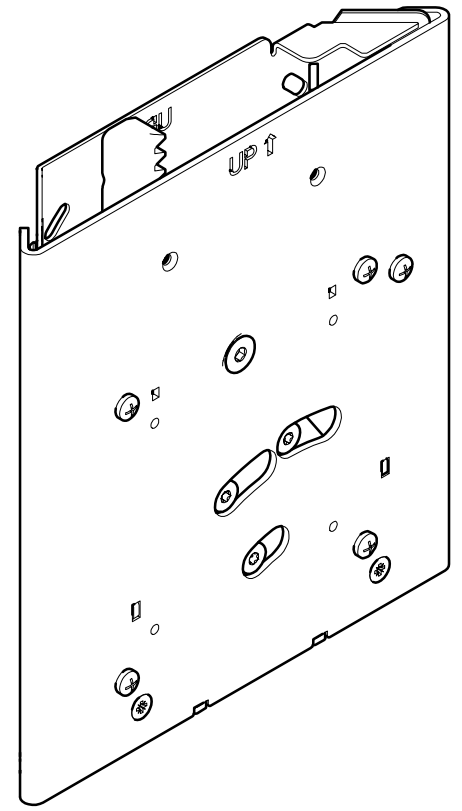
Adjust downwards



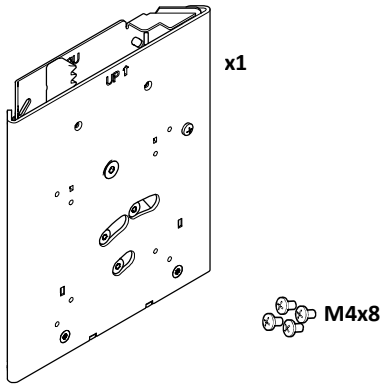
Installation Guide

SPV3309

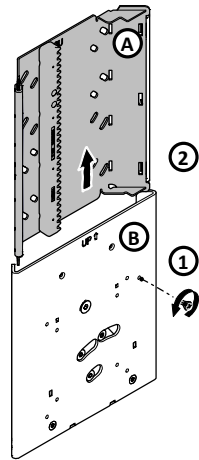
SpacePole POSlift™



Box content

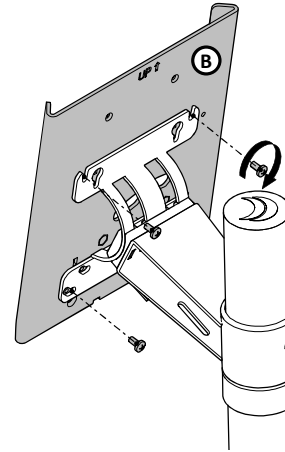


1 Disassemble the two parts

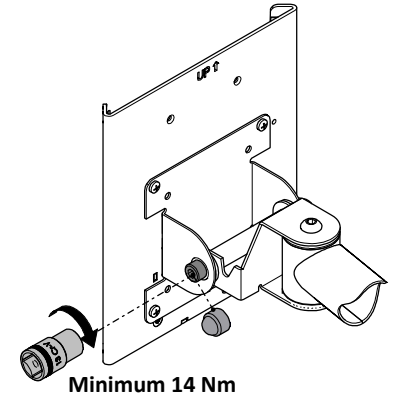


1 Remove security screw

3 Mount to VESA

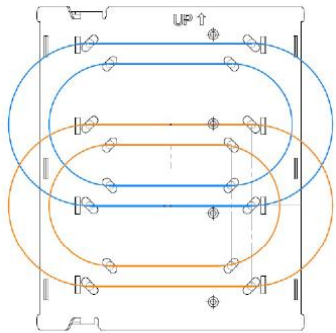


3A Retrofit to existing connection joints



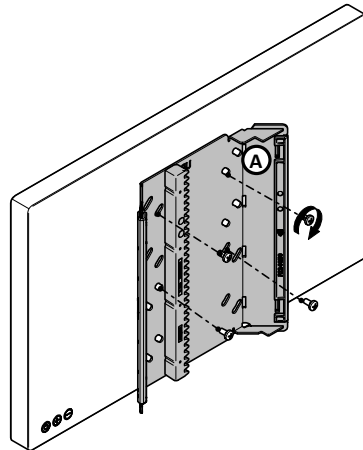
For retrofit to existing connection joints, the joint must be tightened before installing the screen - minimum 14 Nm

2 Options for screen position

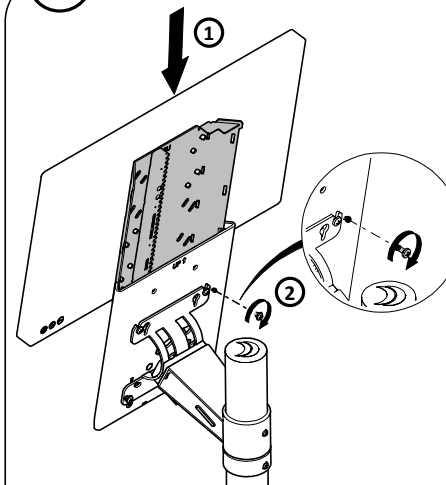


Note there are two options:
Blue = upper VESA option - Operating range between 11 cm up and 7 cm down
Orange = lower VESA option - Operating range between 16 cm up and 2 cm down

2A Mount VESA adapter on screen



4 Assemble the two parts



2 Fit and tighten the security screw